

For reference only. See data sheet for the detailed specifications.

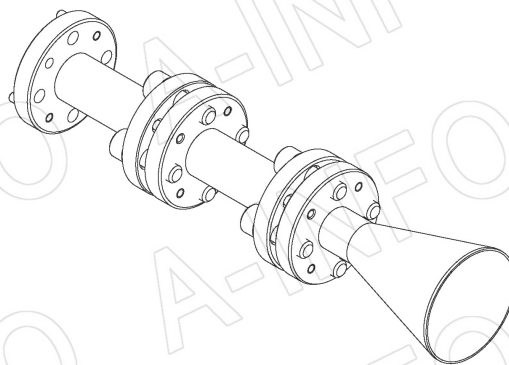
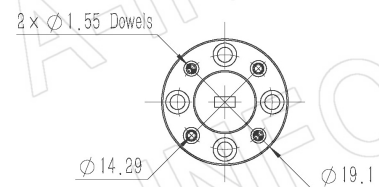
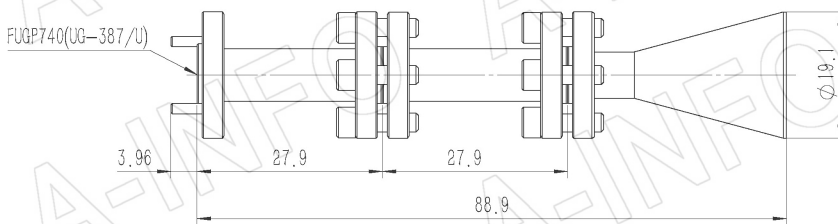
Technical Specification



Frequency Range(GHz)	64.0 – 86.0	
Waveguide	WR12	
Gain(dBic)	20 Typ.	
Polarization	LHCP	
Axial Ratio(dB)	2.0 Typ.	
	3.0 Max.	
3dB Beamwidth(deg)	E Plane:	16 Typ.
	H Plane:	15 Typ.
VSWR	A Type:	1.15:1 Max.
	C Type:	1.80:1 Max.
Output	A Type:	FUGP740(UG-387/U)
	C Type:	1.0mm-Female
Material	Cu	
Finish	Gold Plated	
Size(mm)	A Type:	19.1 x 19.1 x 88.9
	C Type:	19.1 x 25 x 114.3
Net Weight(Kg)	A Type:	0.07 Around
	C Type:	0.09 Around

Outline Drawing (Size: mm)

FUGP740 Output (P/N: LB-CNH-12WC13-20-L16-A)



AINFO Inc.

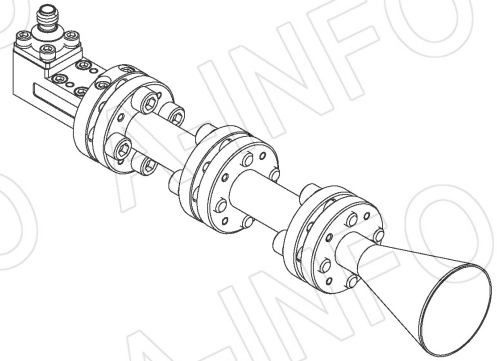
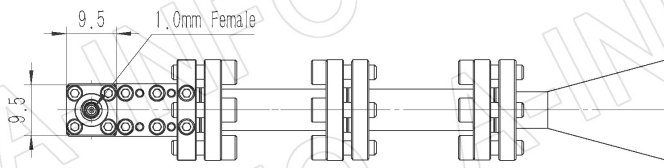
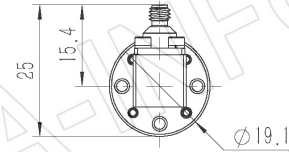
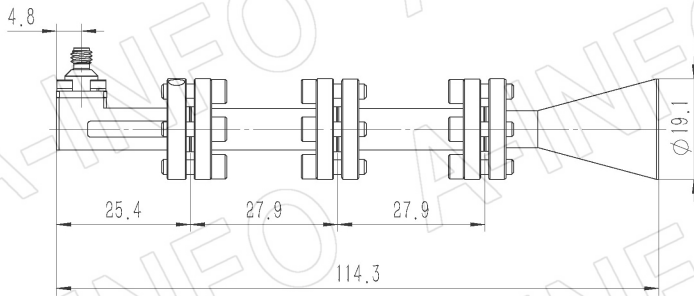
China(Beijing): Tel: (+86) 10-6266-7326,
China(Chengdu): Tel: (+86) 28-8519-2786,
USA: Tel: (+1) 949-639-9688,

Page 1 of 12

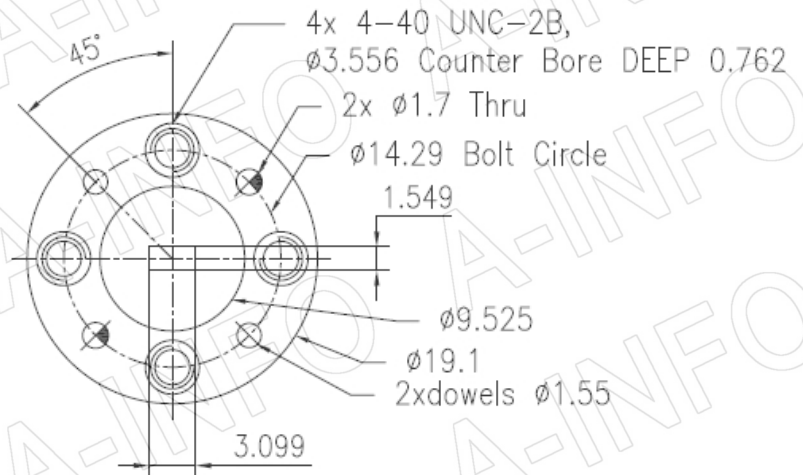
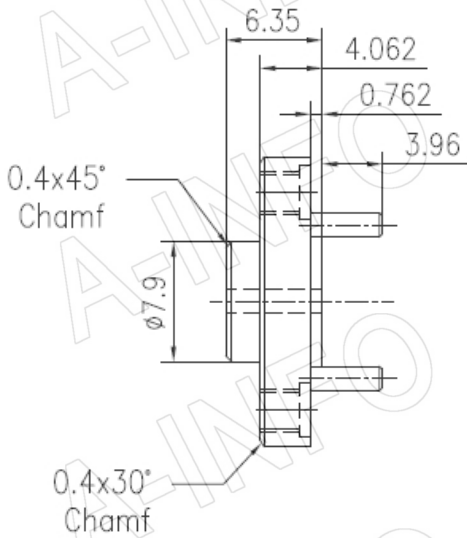
(+86) 10-6266-7327 Fax: (+86) 10-6266-7379
(+86) 28-8519-3044 Fax: (+86) 28-8519-3068
(+1) 949-639-9608 Fax: (+1) 949-639-9670

Website: www.ainfoinc.com
Email: sales@ainfoinc.com

1.0mm-Female Output (P/N: LB-CNH-12WC13-20-L16-C-1.0F)



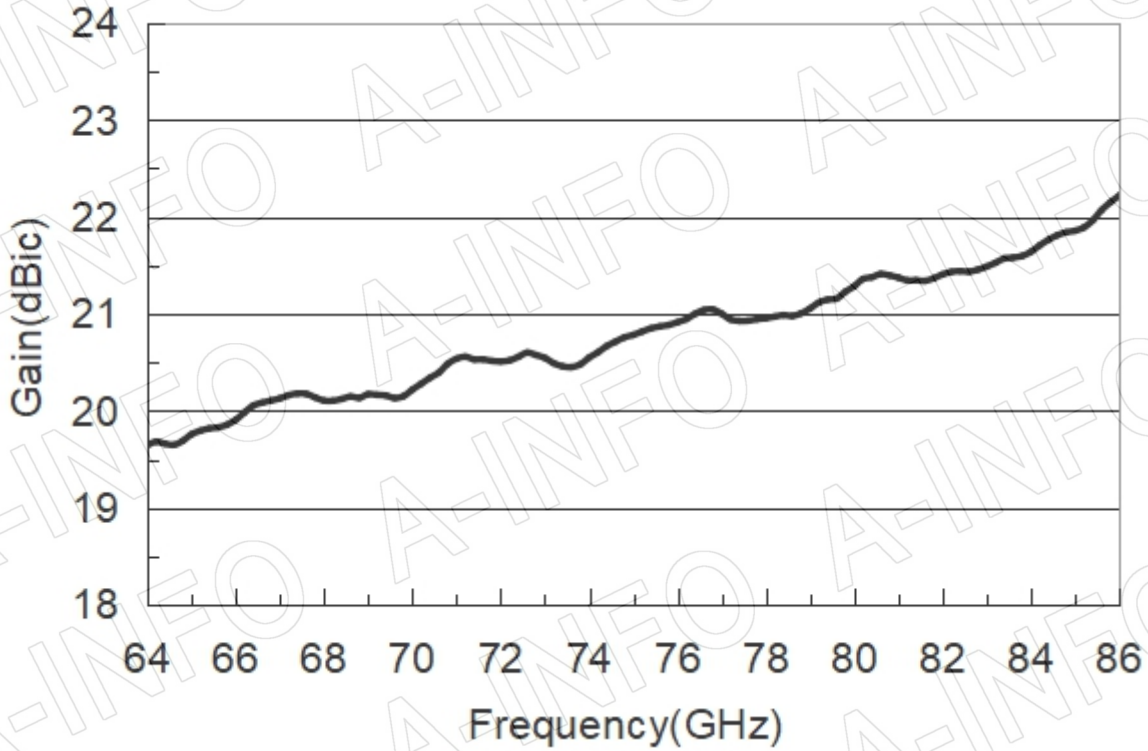
Flange Drawing (Size: mm)



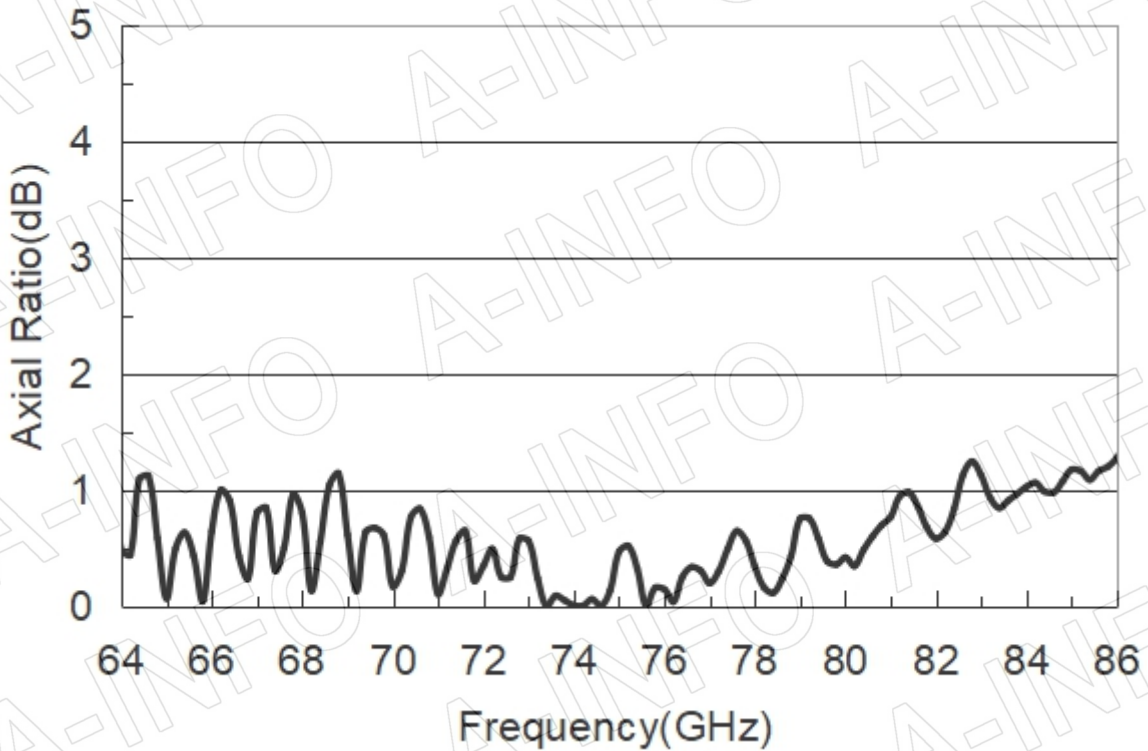
FUGP740
(equivalent to UG-387/U)

Test Results

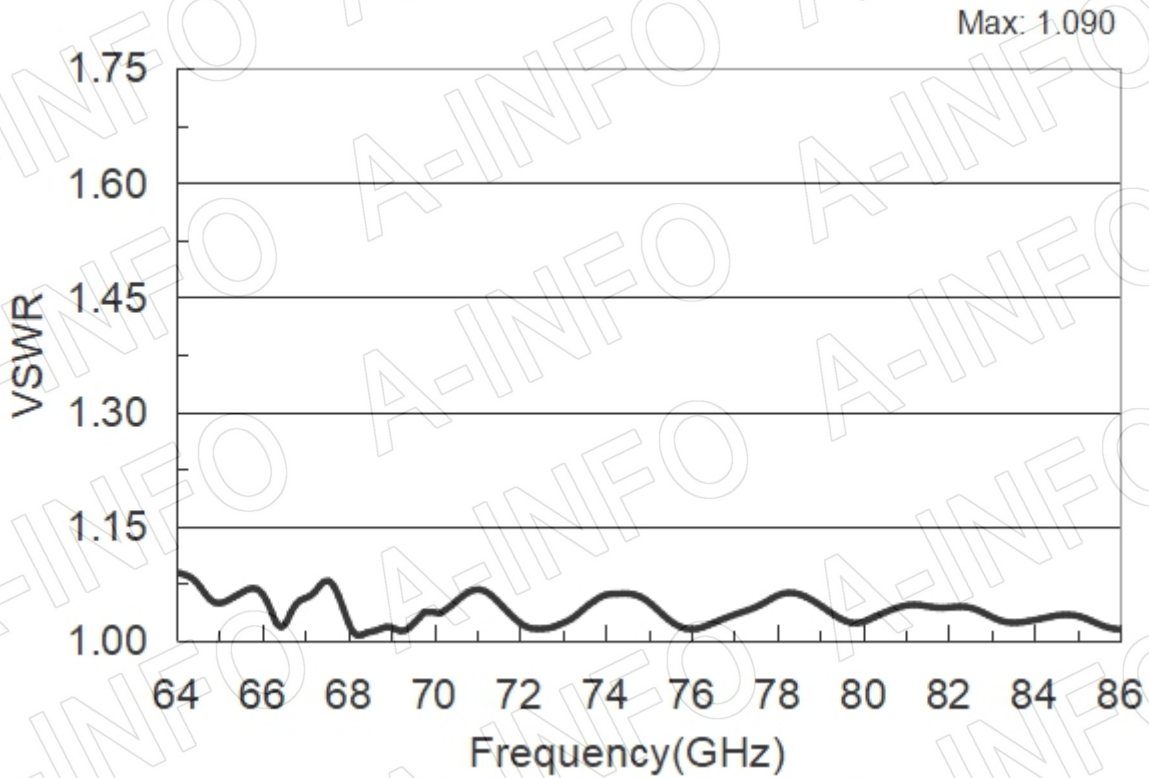
1. Gain



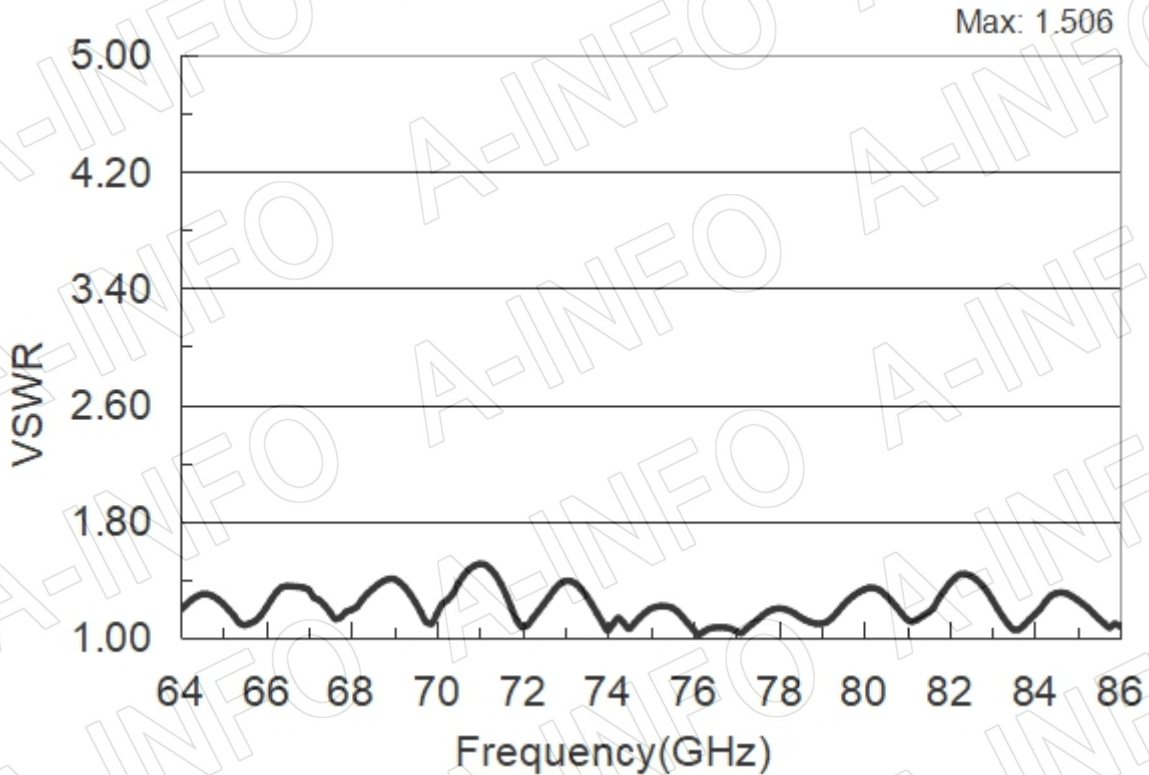
2. Axial Ratio



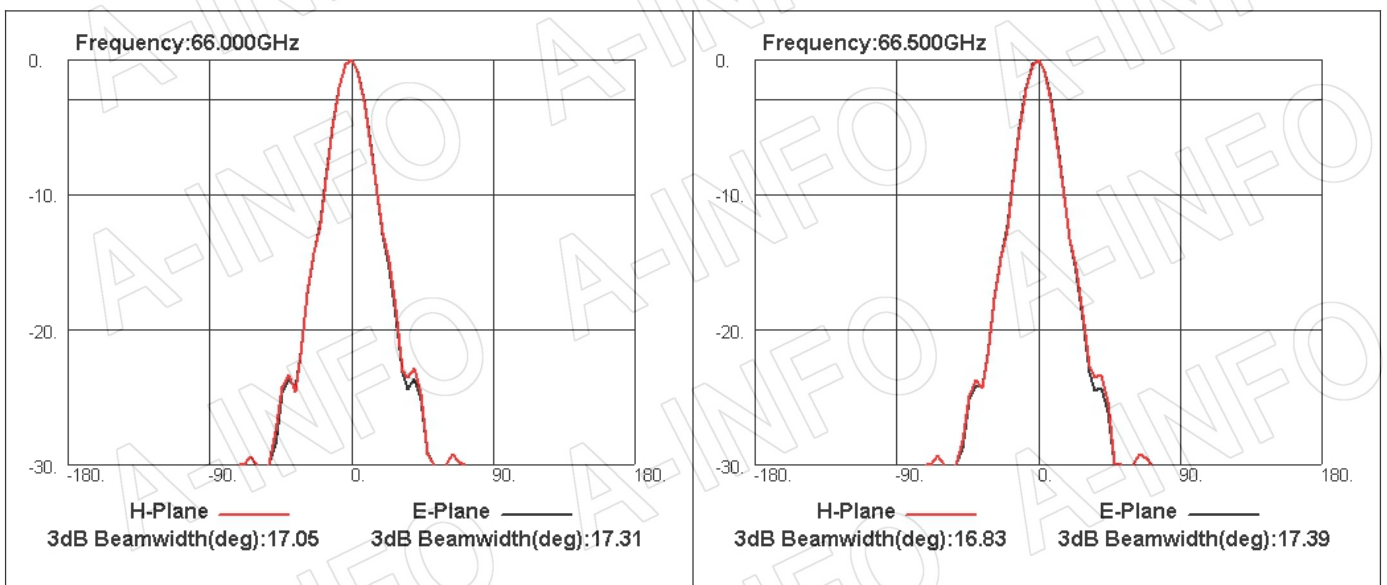
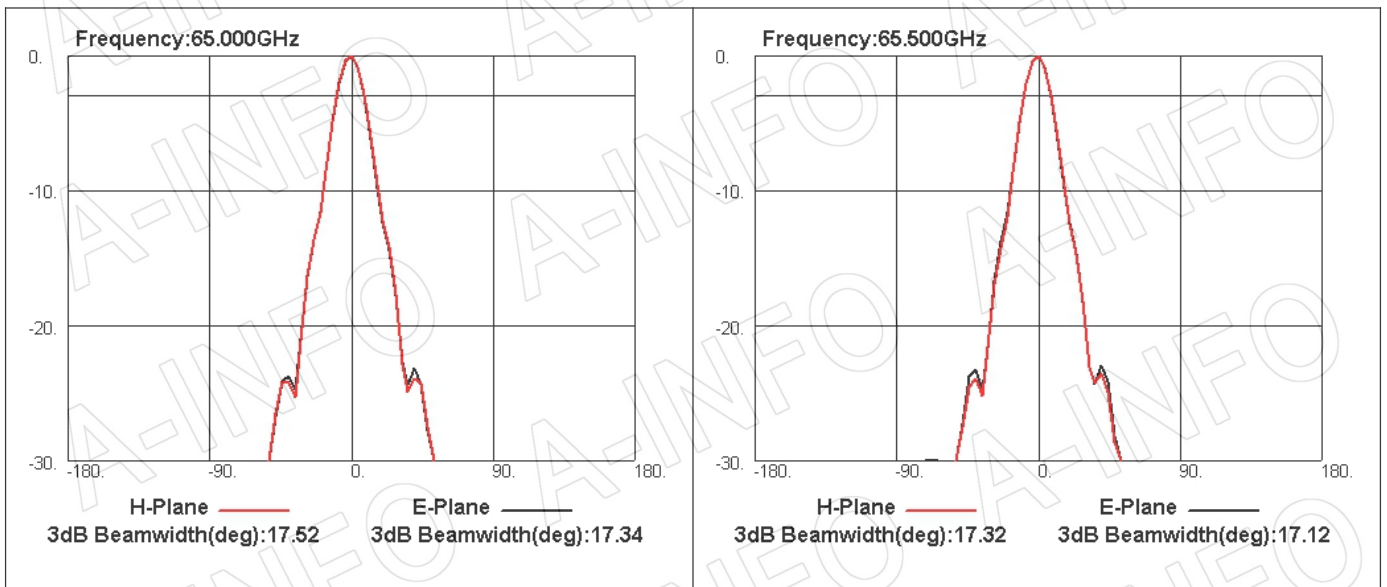
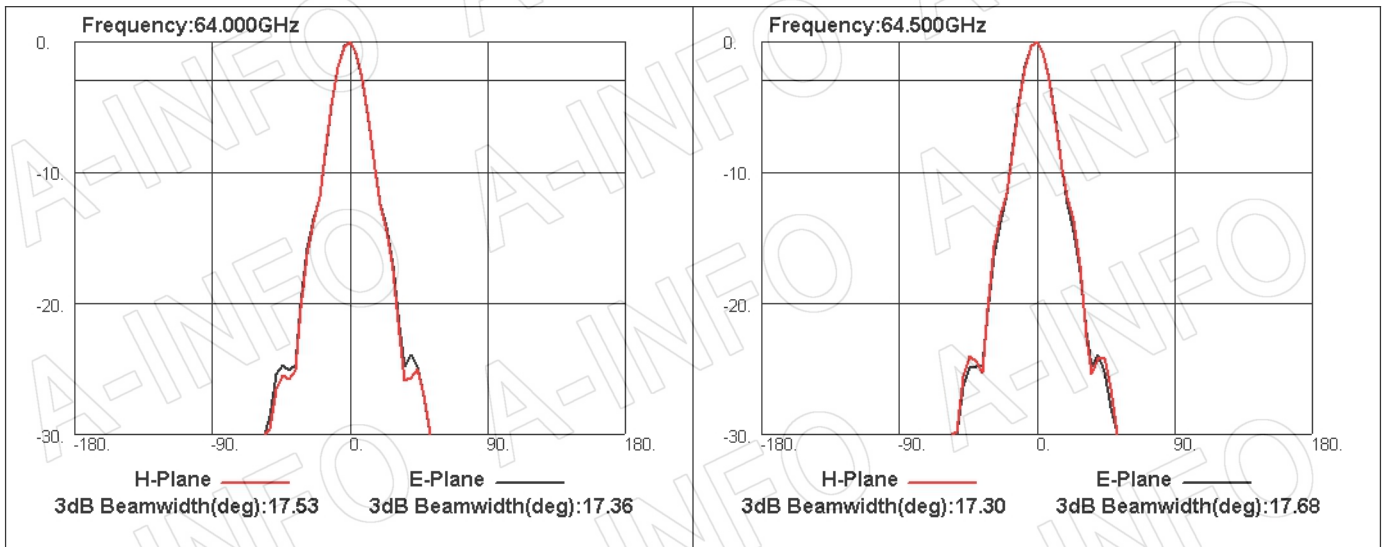
3. VSWR_A Type



VSWR_C Type



4. Pattern



AINFO Inc.

China(Beijing): Tel: (+86) 10-6266-7326,
China(Chengdu): Tel: (+86) 28-8519-2786,
USA: Tel: (+1) 949-639-9688,

Page 5 of 12

(+86) 10-6266-7327 Fax: (+86) 10-6266-7379
(+86) 28-8519-3044 Fax: (+86) 28-8519-3068
(+1) 949-639-9608 Fax: (+1) 949-639-9670

Website: www.ainfoinc.com
Email: sales@ainfoinc.com

